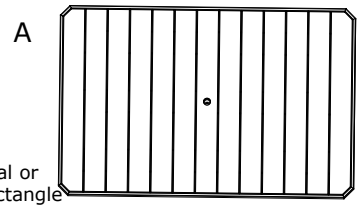
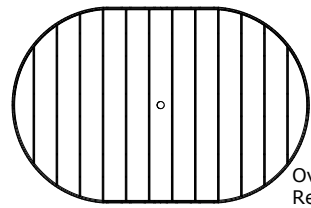




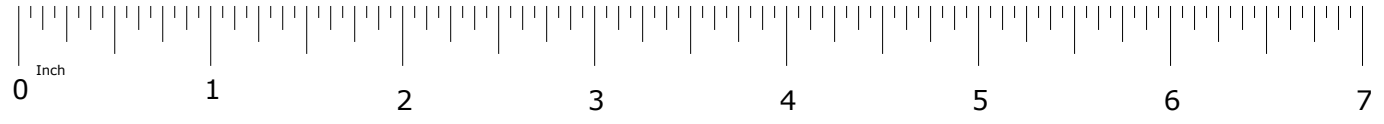
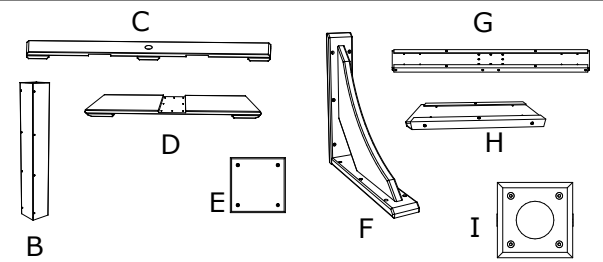
Tools Required
 #2 Square Drive Bit
 (Not Included)

Hardware
 36 - 2 1/2" Screws
 24 - 2" Screws
 152 - 1 1/2" Screws
 2 - 5/16" x 2-1/4" T Bolt

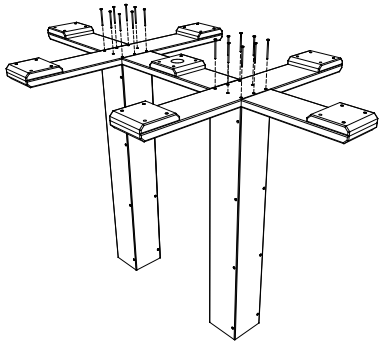
- Parts List**
- 1 - (A) Top
 - 2 - (B) Pedestal Column
 - 1 - (C) Pedestal Foot Long
 - 2 - (D) Pedestal Feet
 - 2 - (E) Pedestal Block
 - 12 - (F) Brace
 - 2 - (G) Top Long Crosspiece
 - 2 - (H) Top Short Crosspiece
 - 1 - (I) Stabilizer Block



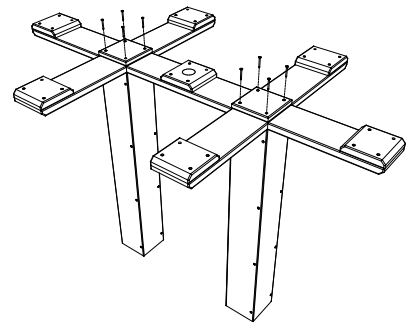
Oval or Rectangle



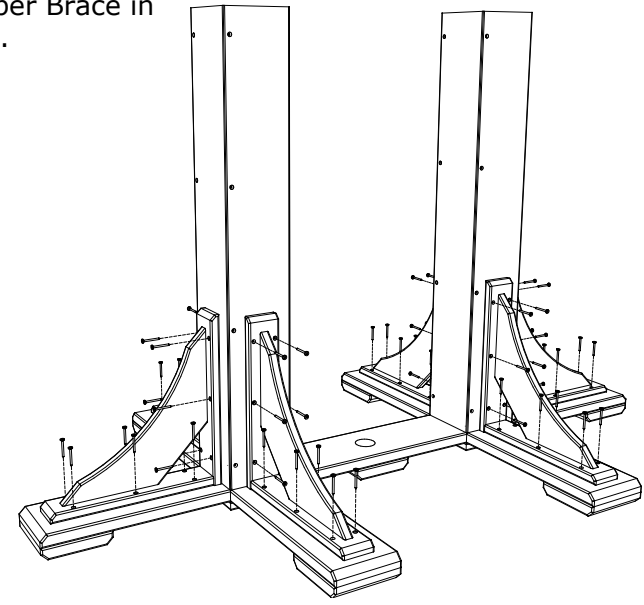
1. Attach (C) & (D) Pedestal Feet to (B) Pedestal Column using 8 - 2 1/2" Screws per Pedestal Column in predrilled holes.



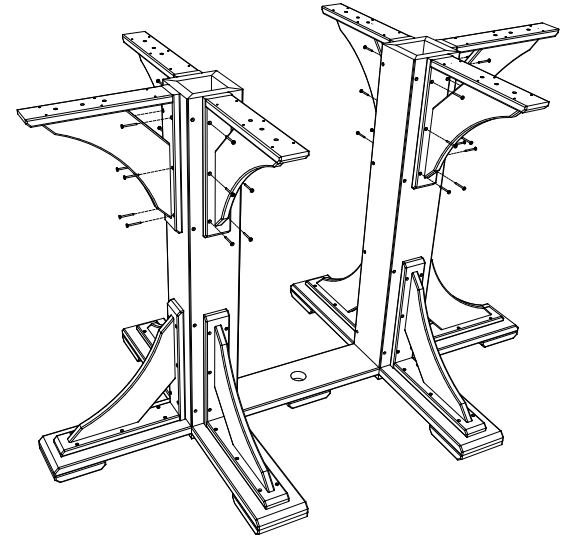
2. Align (D) Block in center of Pedestal Feet, Attach using 4 1 1/2" Screws per Block in predrilled holes.



3. Attach 6 (F) Braces using 12- 1 1/2" Screws per Brace in predrilled holes.



4. Attach remaining (F) Braces to Column using 6 - 1 1/2" Screws per Brace in predrilled holes, Be sure to center brace on Column & keep top side flush.

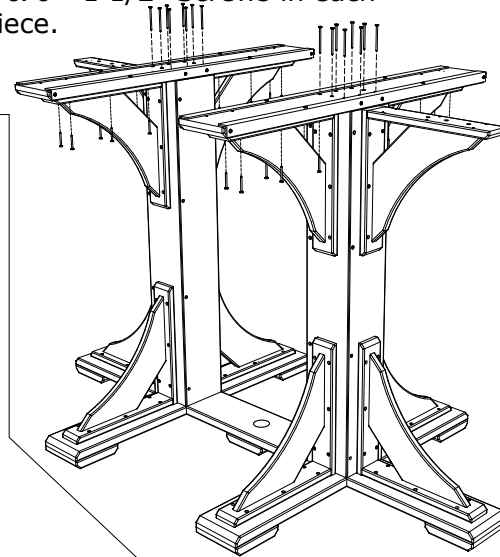


4 x 6 Oval and Rectangle Double Pedestal Table
 Assembly Instructions
 12/11/ 2017 R.M.

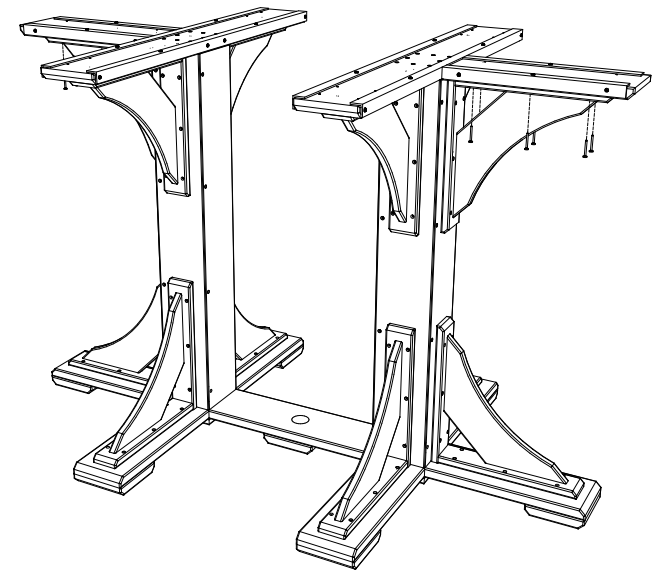


5. Align (G) Top Long Crosspiece with Pedestal Column & Braces, Install 8 - 2 1/2" Screws in each Pedestal Column & 6 - 1 1/2" Screws in each Top Long Crosspiece.

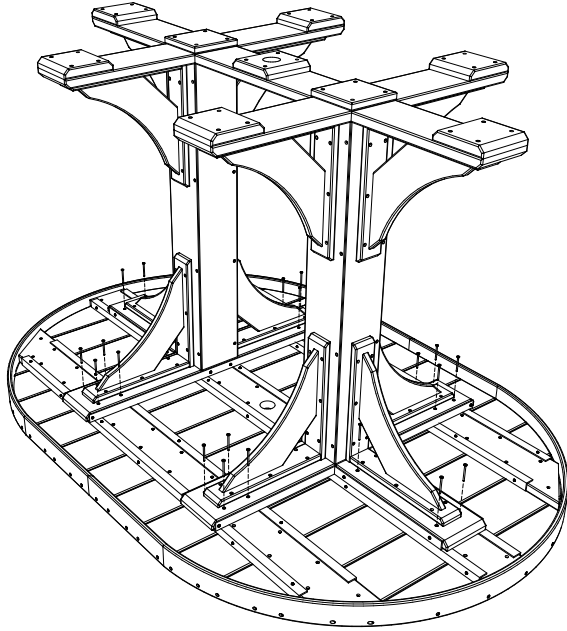
****Aluminum must be on top side ****



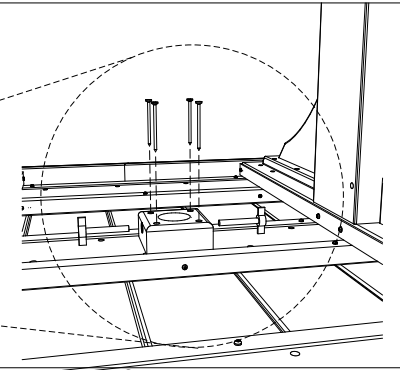
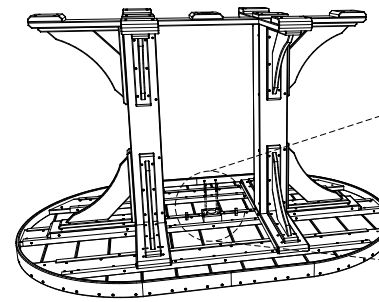
6. Attach (H) Top Short Crosspieces centered with Braces & against Top Long Crosspiece. Install 6 - 1 1/2" Screws per Top Short Crosspiece. **** Aluminum must be on top side****



7. Lay (A) Top on a soft blanket to prevent scratches, Position Base so all Numbers & or Letters match. Attach Top using 24 - 2" Screws in predrilled holes.



8. Align (I) Stabilizer Block with Hole in (A) Top, Attach Stabilizer Block using 4 - 2-1/2" Screws. Insert T Bolts.



4 x 6 Oval and Rectangle Double Pedestal Table
Assembly Instructions

12/11/ 2017

R.M.