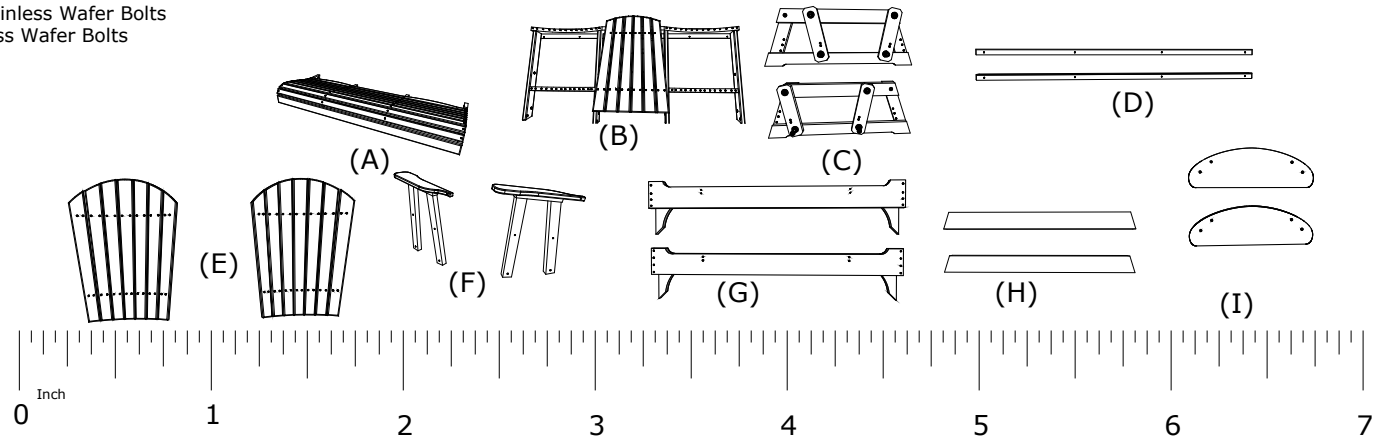




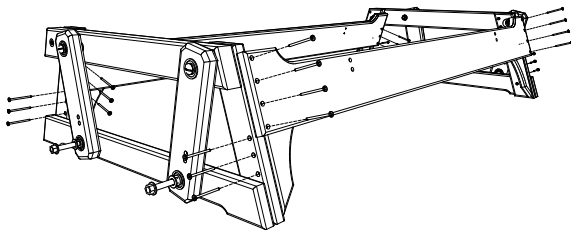
- Hardware**
 2 - 5/16" x 3 1/2" Stainless Wafer Bolts
 2 - 5/16" x 2 1/2" Stainless Wafer Bolts
 8 - 5/16" x 2" Stainless Wafer Bolts
 4 - Nuts
 4 - Washers
 56 - 1 1/2" Screws
 8 - 2 1/2" Screws
 44 - 2" Screws
 1 - 5/32 Hex key

- 1 - (A) Seat Assembly
- 1 - (B) Back Assembly
- 2 - (C) Glider Base
- 2 - (D) Bearing Arm Supports
- 14 - (E) Back Slats
- 2 - (F) Armrest's
- 2 - (G) Front-Back Crosspieces
- 2 - (H) Crosspiece Supports
- 2 - (I) Lintels

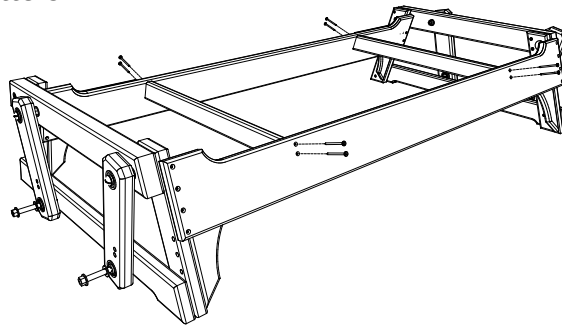
- Tools Required**
 5/32 Hex Key (Included)
 #2 Square Drive Bit (Not Included)
 9/16" Wrench (Not Included)



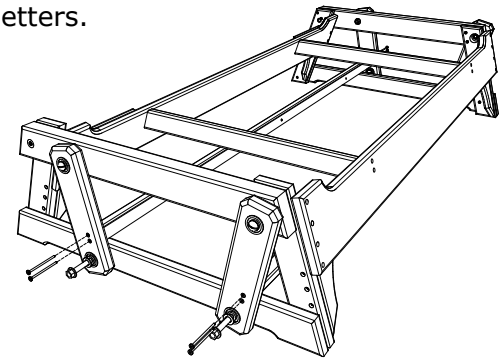
1. Attach (G) Front-Back Crosspieces to (C) Glider Base's Using 14 - 2" Screws per side, be sure to match all numbers & or letters.



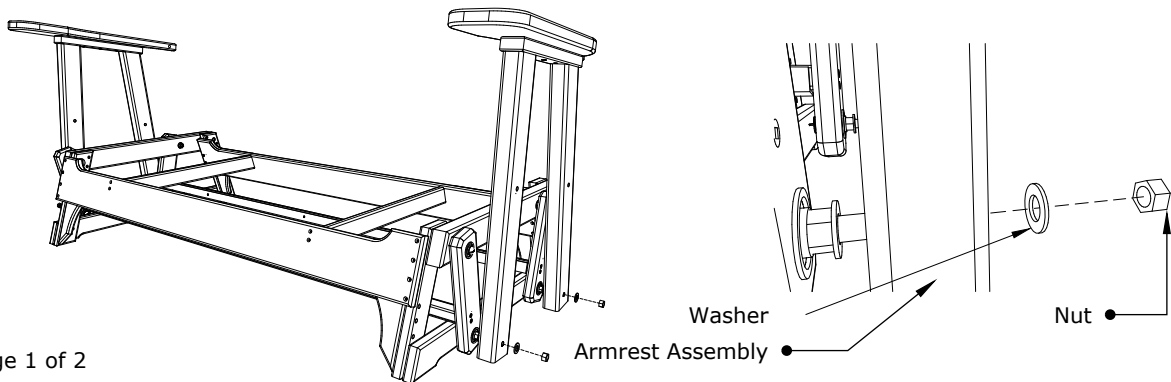
2. Attach (H) Crosspiece Supports to Front-Back Crosspieces using 4 - 2" Screws per side, be sure to match all numbers & or letters.



3. Attach (D) Bearing Arm Supports to Glider Base using 4 - 2 1/2" Screws per side, be sure to match all numbers & or letters.



4. Attach (F) Armrests to Glider Base using (2-Washers)&(2-Nuts) per side, be sure to match all numbers & or letters. "Assembly order is Armrest Assembly-Washer-Nut"



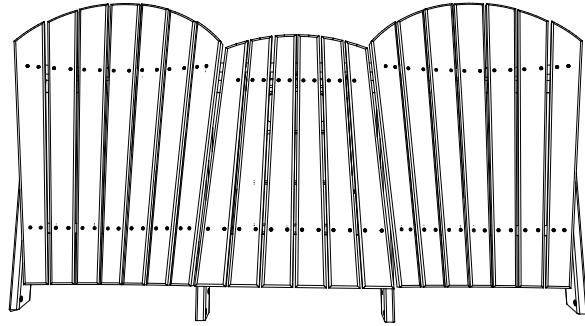
5' Adirondack Poly Glider Assembly Instructions

10/16/ 2017

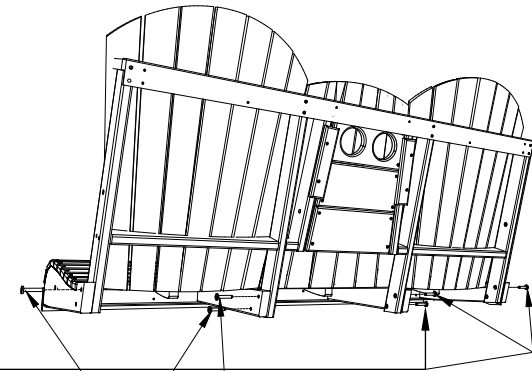
R.M.



5. Attach (E) Back Slats to (B) Back Assembly using 4 - 1 1/2" Screws per slat, be sure to match all numbers & or letters.



6. Attach Back Assembly to (A) Seat Assembly using 6 - 2" Wafer Bolts, be sure to Match all numbers & or letters, tighten Wafer Bolts with included Hex Key.



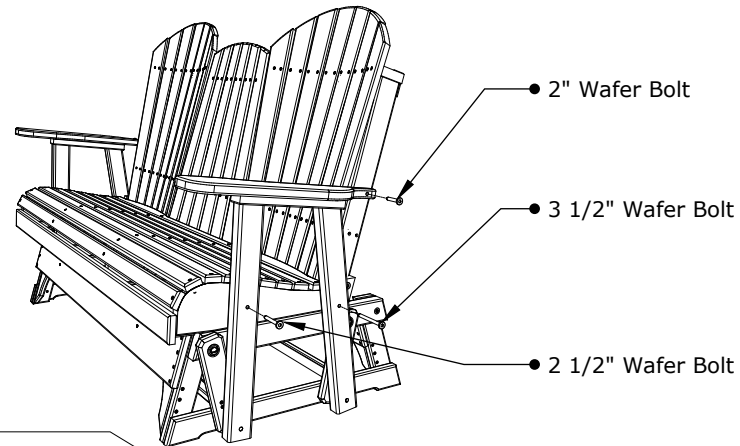
7. Attach Back-Seat Assembly to Armrests using

1 - 3 1/2" Wafer Bolt

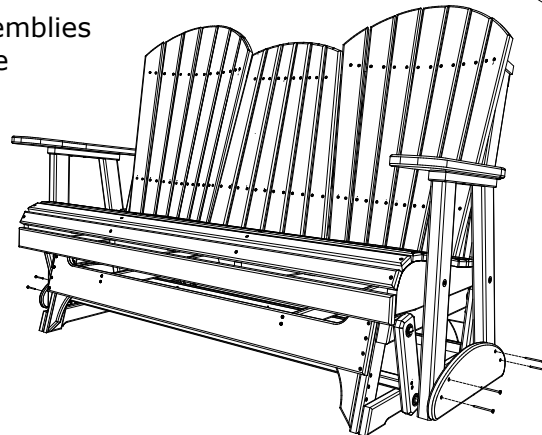
1 - 2 1/2" Wafer Bolt &

1 - 2" Wafer Bolt

per side, be sure to match all numbers & or letters, tighten Wafer Bolts with included Hex Key.



8. Attach (I) Lintels to Armrest Assemblies using 4 - 2" Screws per side, be sure to match all numbers & or letters.



5' Adirondack Poly Glider Assembly Instructions

10/16/ 2017

R.M.